

## "TUTTO" PLASTIC BOXES

### 1. DESCRIPTION

#### Art. 7420-7425-7450-7460

"TUTTO" plastic inspection box. Suitable for housing distribution, multifar and coplanar manifolds using the special supports, Arts. 7500 - 7550. Cover fixed with screws.

Code	Dimensions (mm)
7420	300x250x80
7425	400x250x80
7450	480x250x80
7460	600x300x80

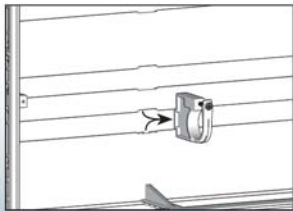


### 1.2 TECHNICAL FEATURES

**Material:** Edistir - impact resistant polystyrene

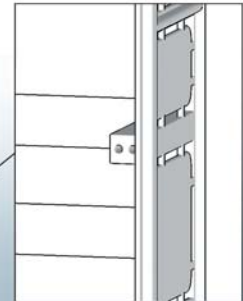
**Max. room temperature:** 75°C

### 1.3 MAIN FEATURES

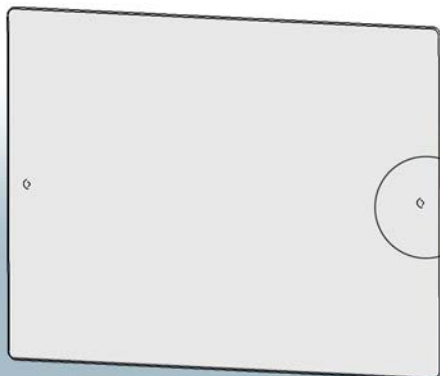
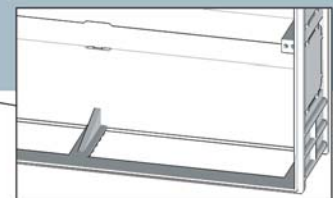
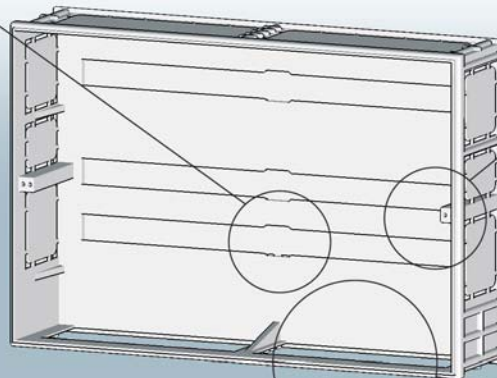


Guides for insertion of fixing supports for manifolds.

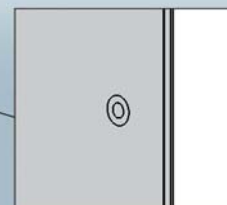
Holes in the sides of the box for cover fixing by means of screws.



Removable inserts on each side of the box.

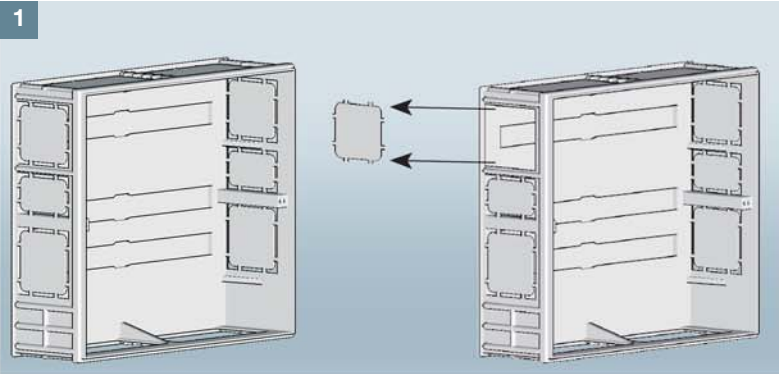


Holes in the sides of the cover for box fixing.

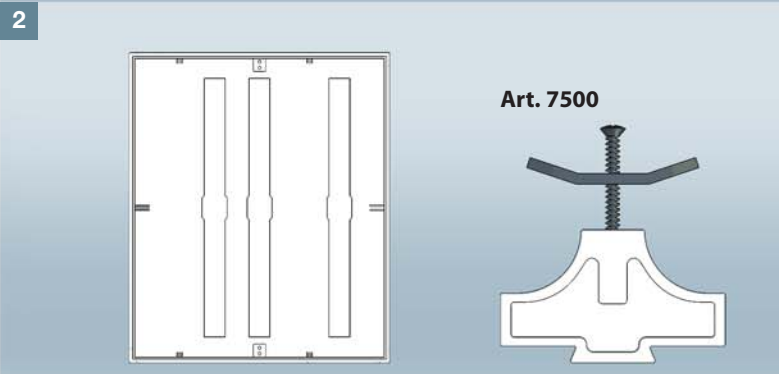


## 2. INSTALLATION

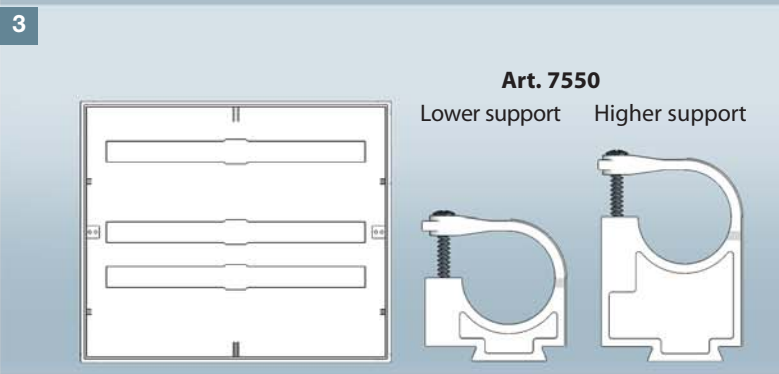
Once the wall recess is ready, before mounting the "TUTTO" inspection box it is recommended that the "windows" located on the sides, which are necessary for passing pipe through the box, be removed.



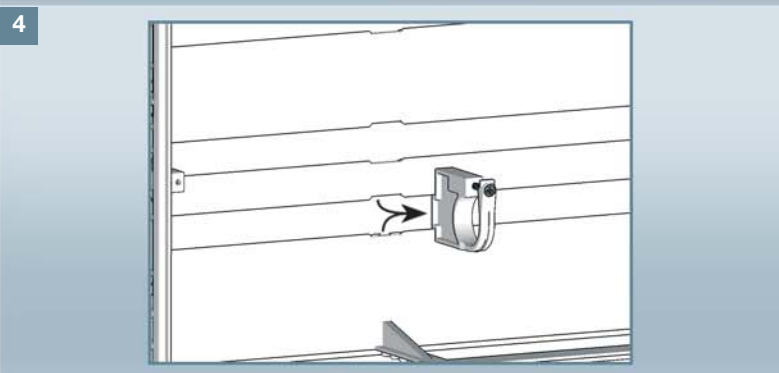
"TUTTO" box is wall mounted in a manner depending on the type of manifold used in system. When using coplanar manifolds, it is recommended that the 'TUTTO' inspection box be installed in a vertical position. For location and fixing it is necessary to utilize the central guide on the box base, making use of supports Art. 7500.



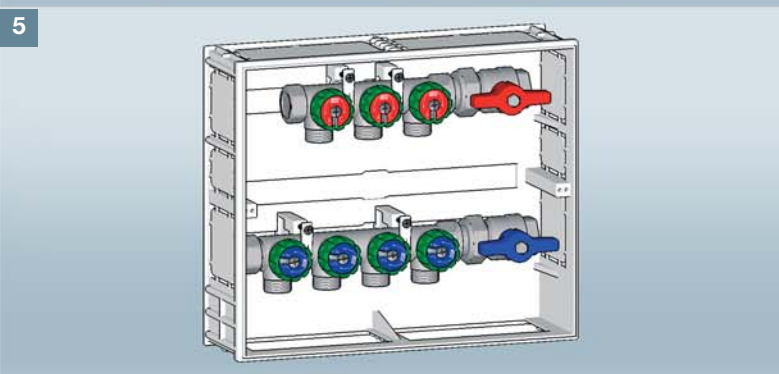
When using other types of manifolds such as distribution and 'multifar' modular manifolds it is recommended that "TUTTO" inspection box be installed in a horizontal position. For placement and fixing it is necessary to utilize the two external guides, making use of supports Art. 7550. The lower support will be used when the manifold is located in the upper position, while the higher support is for use for a manifold installed at the bottom; this configuration permits the pipework for the upper manifold to pass behind the lower one.



The supports - on which the manifolds are fixed - are made of plastic material able to withstand temperatures up to 100°C. Their insertion into the dovetail grooves is made possible by a thickening at the centre, as shown in the picture.



For fixing of a distribution or "multifar" manifold the latter must be located in the circular apertures of the supports. To carry this out, it is essential that the supports are already installed on the box and that the tongue is pulled down to make insertion of the manifold easier. Once inserted the manifold is locked in position by means of screws.

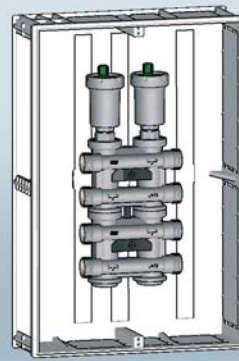


The locking device for coplanar manifold is even simpler. Once the supports are located in the guides, the manifold is laid on them and locked by a screw, which tightens a specially shaped plate in such a way as to centre the manifold on the support.

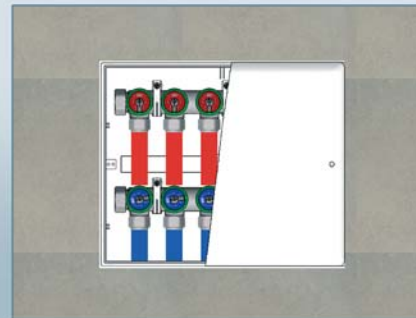
This permits quick and safe manifold positioning and helps to ensure a correct installation.

Once the boxes, manifolds and pipelines have been installed and the system seal has been checked pipes can be covered and the walls sealed. The cover will be placed in position when all construction work is completed.

6



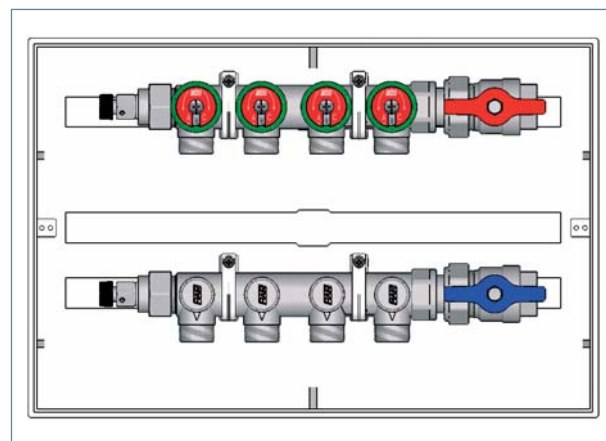
7



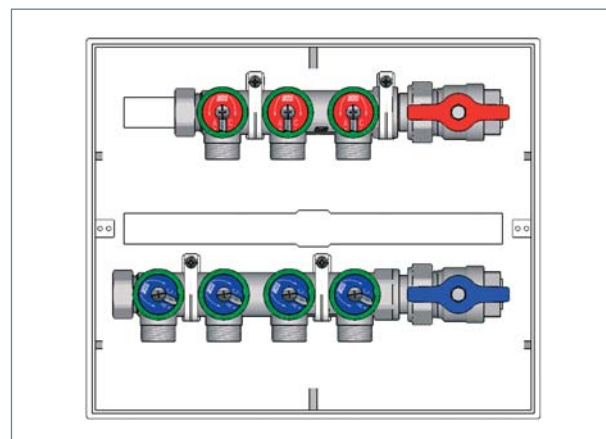
### 3. MANIFOLDS FOR INSTALLATION IN BOXES: Art. 7420 - 7425 - 7450 - 7460

#### Multifar manifolds

With air vent valve and ball valve			
SIZE	CENTRE LINE BETWEEN PORTS	OUTLETS	ART. BOX
3/4" - 1"	45 mm	2	7420
3/4" - 1"	45 mm	3	7425
3/4" - 1"	45 mm	4	7425
3/4" - 1"	45 mm	5	7450
3/4" - 1"	45 mm	6	7460
3/4" - 1"	45 mm	7	7460
3/4" - 1"	45 mm	8	7460
3/4"	45 mm	9	7460

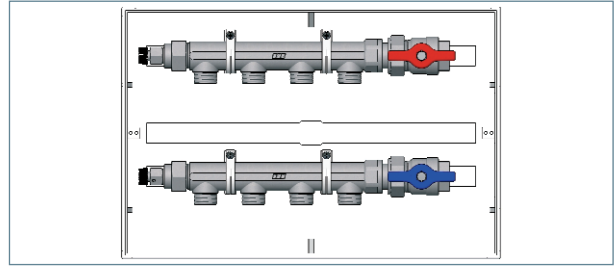


With plug and ball valve			
SIZE	CENTRE LINE BETWEEN PORTS	OUTLETS	ART. BOX
3/4" - 1"	45 mm	2	7420
3/4" - 1"	45 mm	3	7420
3/4" - 1"	45 mm	4	7425
3/4" - 1"	45 mm	5	7425
3/4" - 1"	45 mm	6	7450
3/4" - 1"	45 mm	7	7460
3/4" - 1"	45 mm	8	7460
3/4" - 1"	45 mm	9	7460
3/4" - 1"	45 mm	10	7460

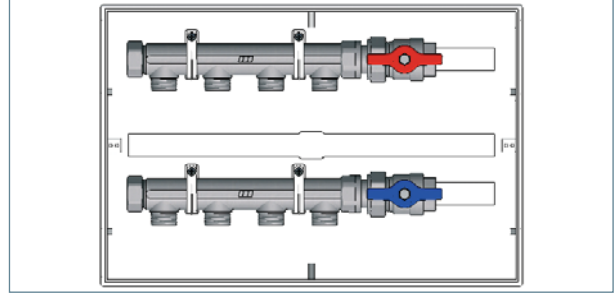


## Distribution manifolds with 50mm centre line between ports

With air vent valve and ball valve			
SIZE	CENTRE LINE BETWEEN PORTS	OUTLETS	ART. BOX
3/4" - 1"	50 mm	2	7420
3/4" - 1"	50 mm	3	7425
3/4" - 1"	50 mm	4	7425
3/4" - 1"	50 mm	5	7450
3/4" - 1"	50 mm	6	7460
3/4" - 1"	50 mm	7	7460
3/4" - 1"	50 mm	8	7460

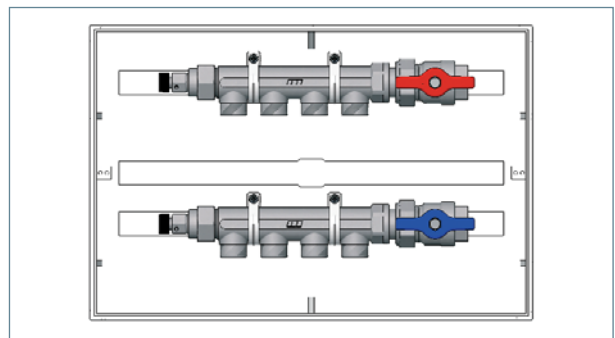


With plug and ball valve			
SIZE	CENTRE LINE BETWEEN PORTS	OUTLETS	ART. BOX
3/4" - 1"	50 mm	2	7420
3/4" - 1"	50 mm	3	7420
3/4" - 1"	50 mm	4	7425
3/4" - 1"	50 mm	5	7425
3/4" - 1"	50 mm	6	7450
3/4" - 1"	50 mm	7	7460
3/4" - 1"	50 mm	8	7460
3/4" - 1"	50 mm	9	7460

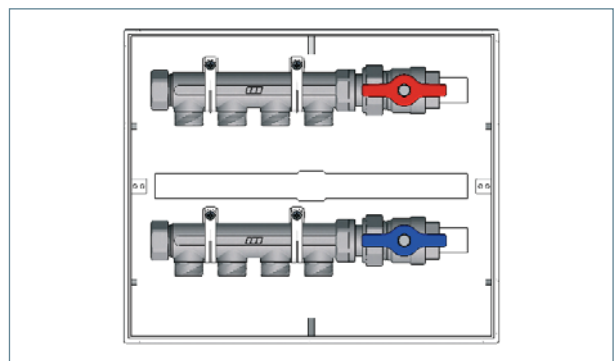


## Distribution manifolds with 36mm centre line between ports

With air vent valve and ball valve			
SIZE	CENTRE LINE BETWEEN PORTS	OUTLETS	ART. BOX
3/4" - 1"	36 mm	2	7420
3/4" - 1"	36 mm	3	7425
3/4" - 1"	36 mm	4	7425
3/4" - 1"	36 mm	5	7450
3/4" - 1"	36 mm	6	7460
3/4" - 1"	36 mm	7	7460
3/4" - 1"	36 mm	8	7460
3/4" - 1"	36 mm	9	7460
3/4" - 1"	36 mm	10	7460
3/4"	36 mm	11	7460



With plug and ball valve			
SIZE	CENTRE LINE BETWEEN PORTS	OUTLETS	ART. BOX
3/4" - 1"	36 mm	2	7420
3/4" - 1"	36 mm	3	7420
3/4" - 1"	36 mm	4	7425
3/4" - 1"	36 mm	5	7425
3/4" - 1"	36 mm	6	7425
3/4" - 1"	36 mm	7	7450
3/4" - 1"	36 mm	8	7450
3/4" - 1"	36 mm	9	7450
3/4" - 1"	36 mm	10	7460
3/4" - 1"	36 mm	11	7460
3/4" - 1"	36 mm	12	7460



## Coplanar manifolds

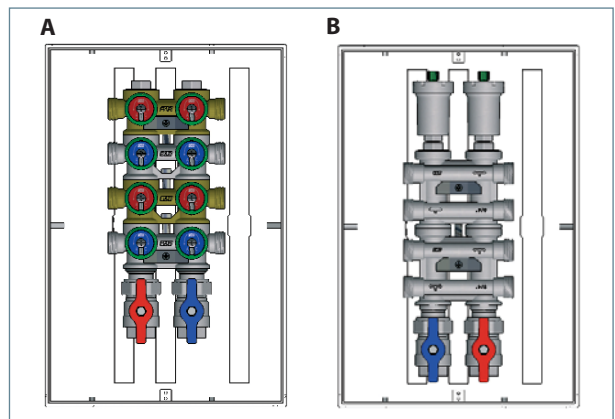
A

SIZE	CENTRE LINE BETWEEN PORTS	OUTLETS	ART. BOX
3/4"	49 mm	4	7420
3/4"	49 mm	6	7420
3/4"	49 mm	8	7425
3/4"	49 mm	10	7425
3/4"	49 mm	12	7450

## Coplanar manifolds with manual controls

B

SIZE	CENTRE LINE BETWEEN PORTS	OUTLETS	ART. BOX
3/4", 1"	40 mm	4 + 4	7425
3/4", 1"	40 mm	6 + 6	7450
3/4", 1"	40 mm	8 + 8	7460



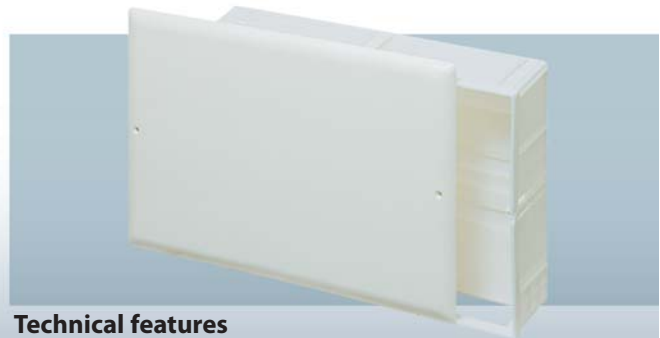
## 4. DESCRIPTION AND TECHNICAL FEATURES

### Art. 7410

"TUTTO" plastic inspection box. Suitable for installation of zone valves and thermo-electric manifolds for heating systems. To fix the manifolds in the box use the supports (Arts. 7500 - 7550).

The cover can be fixed with an interference fit, or with screws.

Code	Sizes (mm)
7410 50	500x410x100
7410 70	700x410x100
7410 90	900x410x100



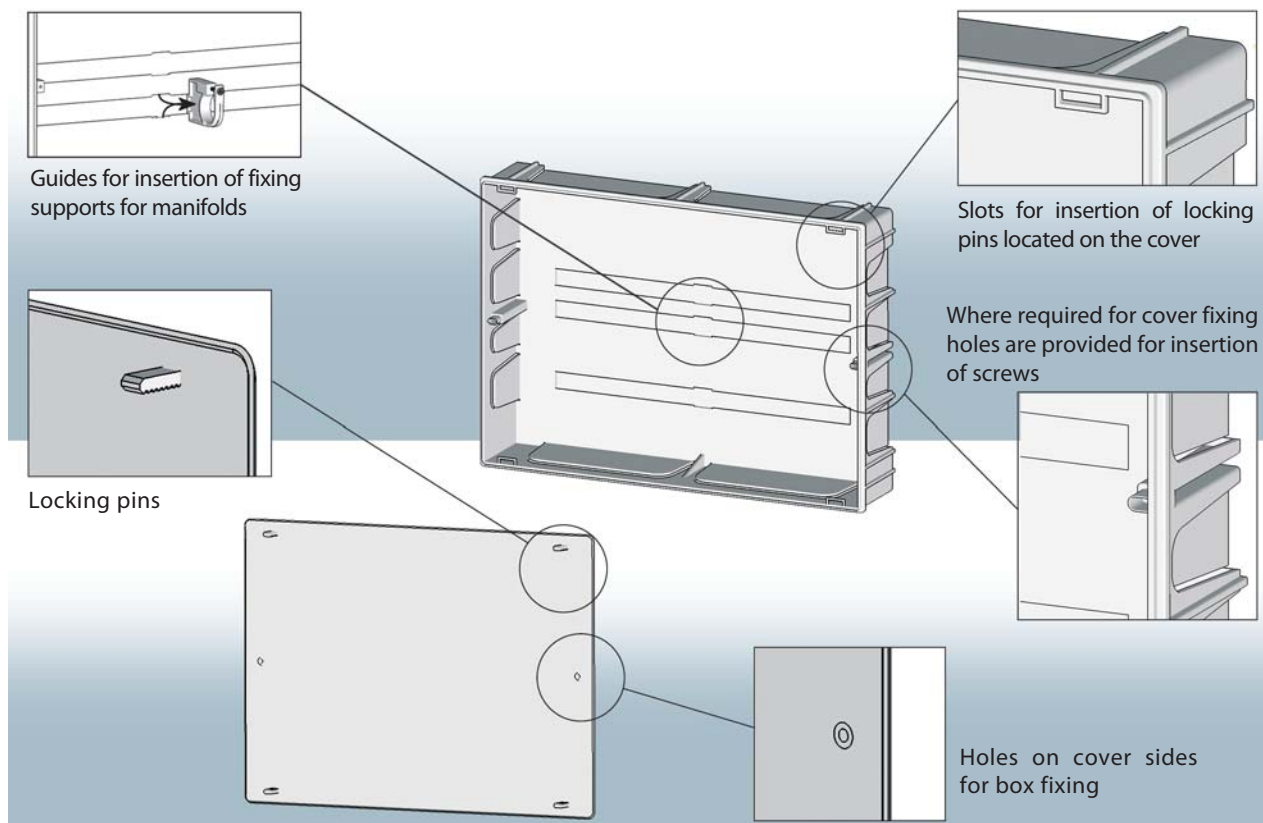
### Technical features

**Material:** Edistir – impact-resistant polystyrene

**Max. room temperature:** 75°C

## 4.1 MAIN FEATURES

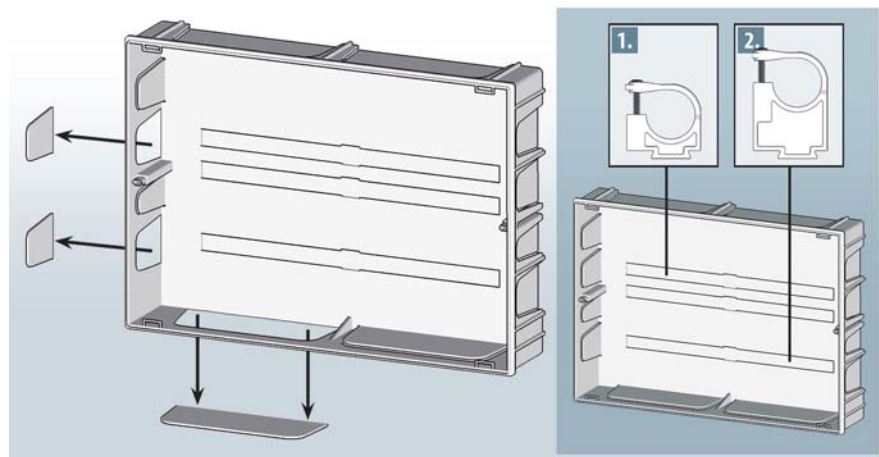
Inspection box, Art. 7410, is suitable for installation of zone valves and thermo-electric manifolds for heating systems.



## 5. INSTALLATION

On each side of the box there are removable inserts for pipeline connections. On the top of the box a mesh is provided in order to simplify installation using mortar or cement. Manifolds supports have to be inserted into the guides by placing the lower support (1) into the guide on the top and the higher one (2) into the guide on the bottom.

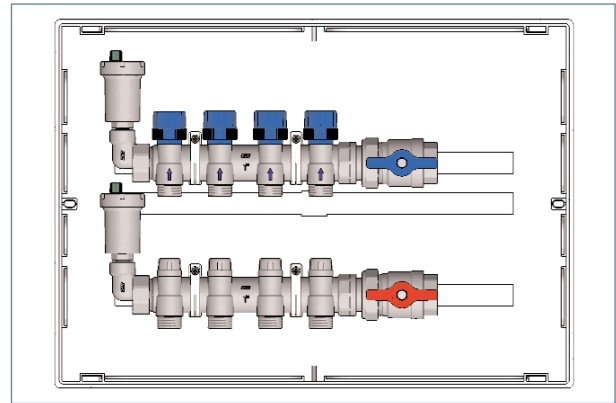
N.B. For correct installation the upper side of box should be inside, or at least aligned with, the line of finished wall.



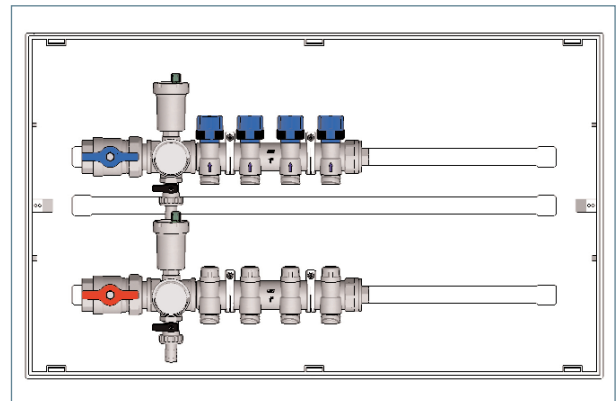
## 6. MANIFOLDS FOR INSTALLATION IN BOXES: Art. 7410 50 - 7410 70 - 7410 90

### Thermo-electric manifolds

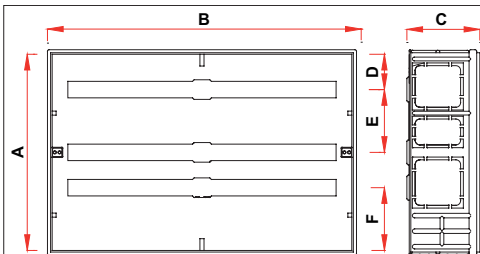
With air vent valve and ball valve			
SIZE	CENTRE LINE BETWEEN PORTS	OUTLETS	ART. BOX
1" - 1 1/4"	50 mm	2	7410 50
1" - 1 1/4"	50 mm	3	7410 50
1" - 1 1/4"	50 mm	4	7410 50
1" - 1 1/4"	50 mm	5	7410 50
1" - 1 1/4"	50 mm	6	7410 70
1" - 1 1/4"	50 mm	7	7410 70
1" - 1 1/4"	50 mm	8	7410 70
1" - 1 1/4"	50 mm	9	7410 70
1" - 1 1/4"	50 mm	10	7410 90
1" - 1 1/4"	50 mm	11	7410 90
1" - 1 1/4"	50 mm	12	7410 90



With ball valve and intermediate connection			
SIZE	CENTRE LINE BETWEEN PORTS	OUTLETS	ART. BOX
1" - 1 1/4"	50 mm	2	7410 70
1" - 1 1/4"	50 mm	3	7410 70
1" - 1 1/4"	50 mm	4	7410 70
1" - 1 1/4"	50 mm	5	7410 70
1" - 1 1/4"	50 mm	6	7410 70
1" - 1 1/4"	50 mm	7	7410 70
1" - 1 1/4"	50 mm	8	7410 70
1" - 1 1/4"	50 mm	9	7410 70
1" - 1 1/4"	50 mm	10	7410 90
1" - 1 1/4"	50 mm	11	7410 90
1" - 1 1/4"	50 mm	12	7410 90



## 7. DIMENSIONAL FEATURES



CODE	A	B	C	D	E	F
7420	250	300	95	58	65	78
7425	250	400	95	58	65	78
7450	250	480	95	58	65	78
7460	300	600	95	70	80	115
7410 50	410	500	105	90	110	140
7410 70	410	700	105	90	110	140
7410 90	410	900	105	90	110	140